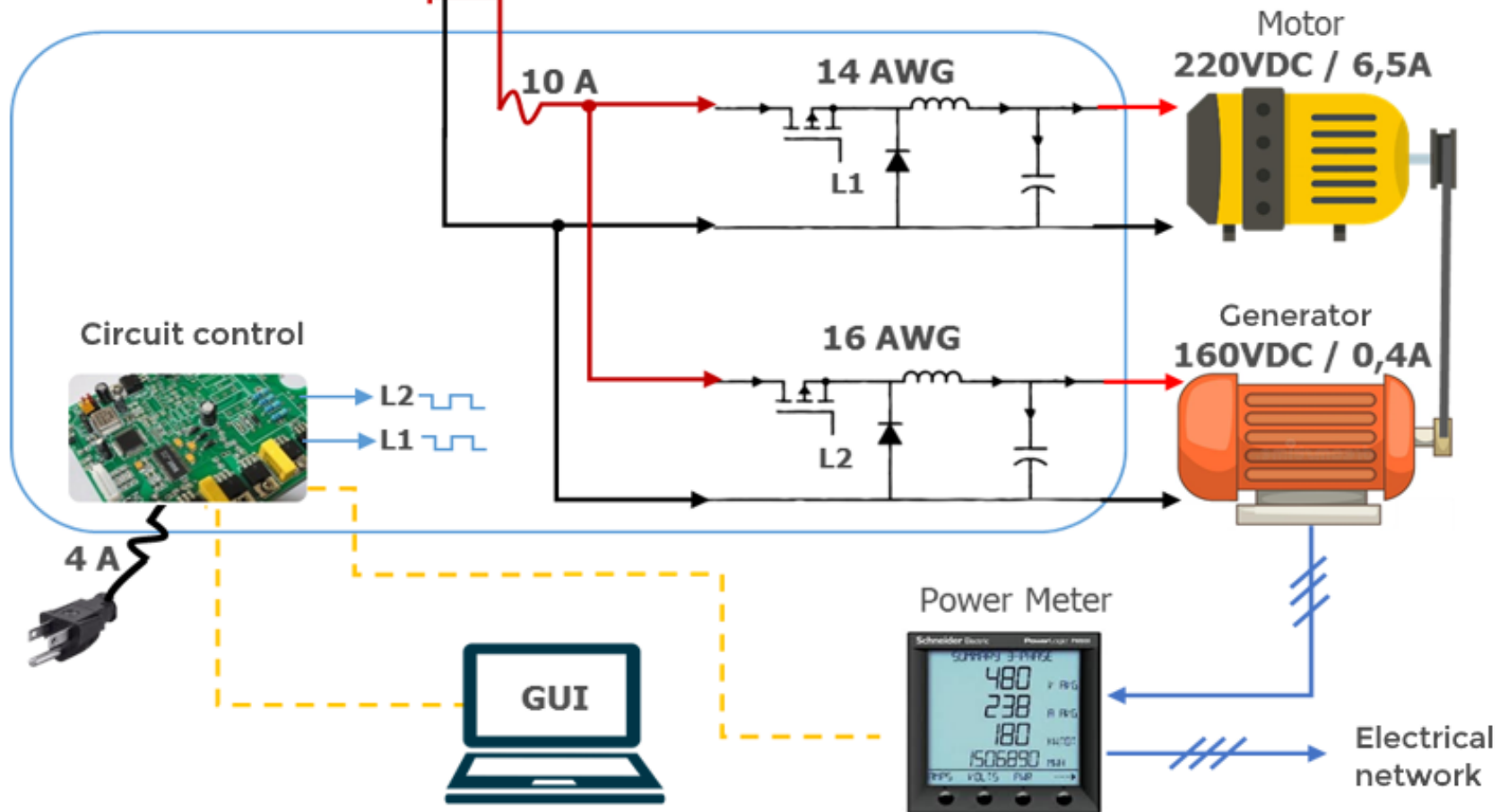


Power supply, D'Lorenzo
240VDC / 8A



Circuit control



L2
L1

4 A

GUI

Power Meter



Electrical network