

Main

Computer application for the implementation of demand response: frequency analysis

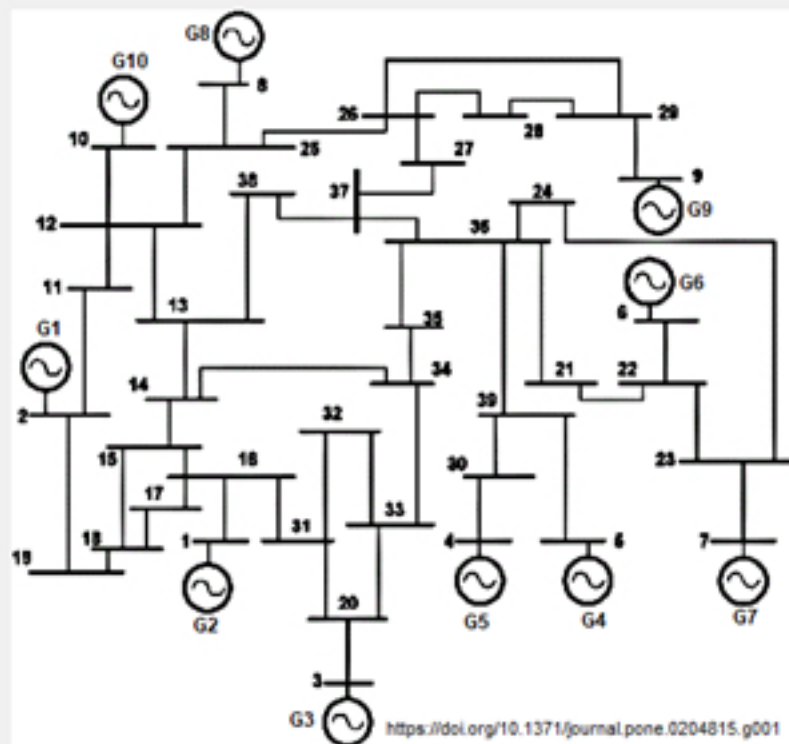
By: Alberto Luis Ferrucho Alvarado and María Luisa Marriaga Díaz

Select project: IEEE_39Nodos

Select method:

 Valley filling technique Emergency program Select the time of
the contingency:

Format: 24 hours

Select the type of
critical contingency:<https://doi.org/10.1371/journal.pone.0204815.g001>

**UNIVERSIDAD
DEL NORTE**

Departamento de Ingeniería Eléctrica y Electrónica

Vigilada Mineducación